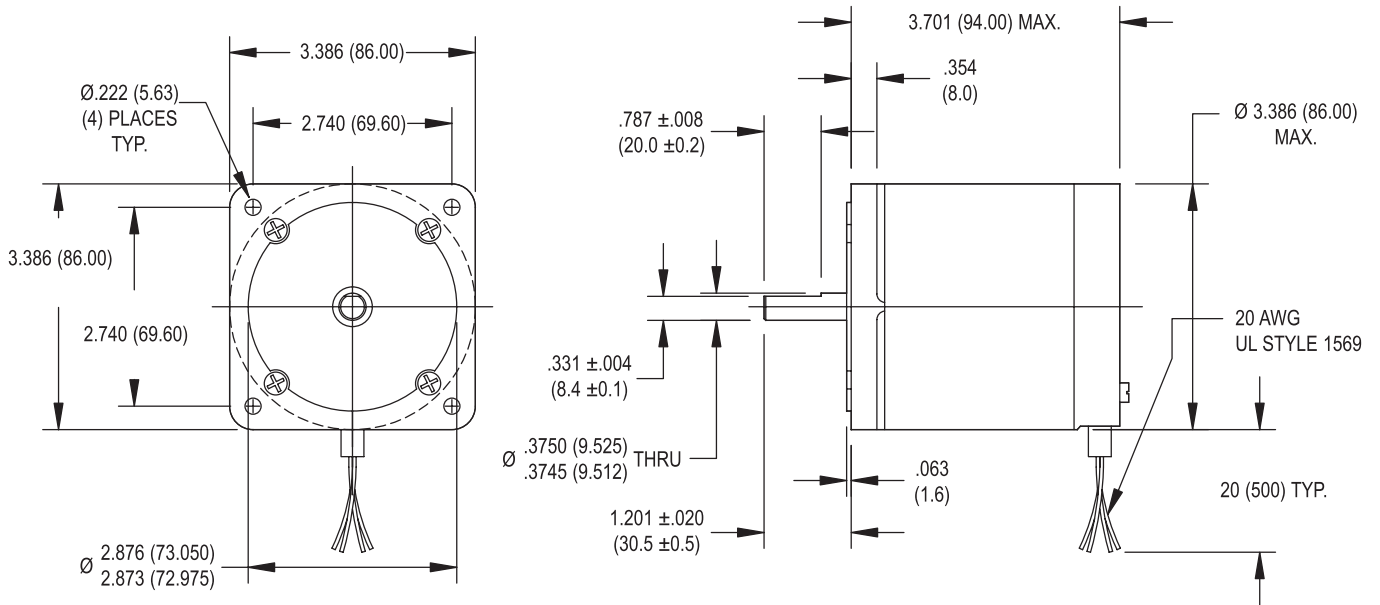
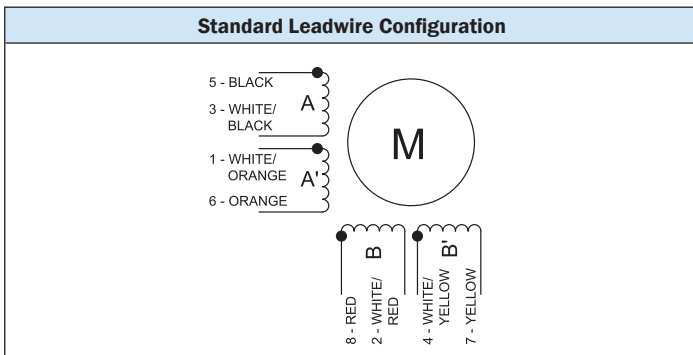
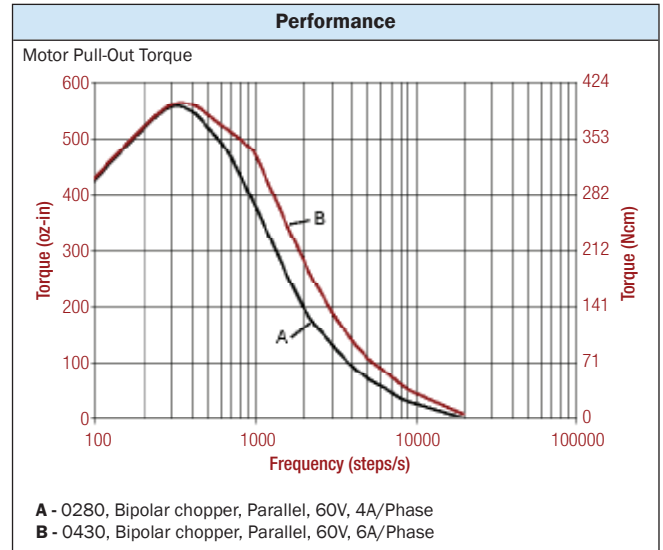


SIZE 34 STEPPER MOTOR DATA



Specification	Units	HN 200 3438	
		0280	0430
Rated Phase Current	A	2.80	4.30
Phase Resistance	Ω	1.7	0.75
Phase Inductance	mH	7.7	3.5
Holding Torque Unipolar	oz-in Ncm	538 380	538 380
Holding Torque Bipolar	oz-in Ncm	680 480	680 480
Detent Torque	oz-in Ncm	18 13	18 13
Rotor Inertia	oz-in-s ² $\times 10^{-4}$ g-cm ²	170 1200	170 1200
Motor Weight (Mass)	lb kg	5.3 2.4	5.3 2.4
Maximum Voltage	V	90	90
Std. No. of Leads	—	8	8



- Standard Features**
- Step angle: 1.8°
 - Step angle accuracy: 5%
 - Insulation class: B (130 °C)
 - NEMA 34 mounting configuration
 - Neodymium magnets
 - Additional windings and customization options available
 - CE approved

- Complementary Products**
- Gearboxes
 - Encoders