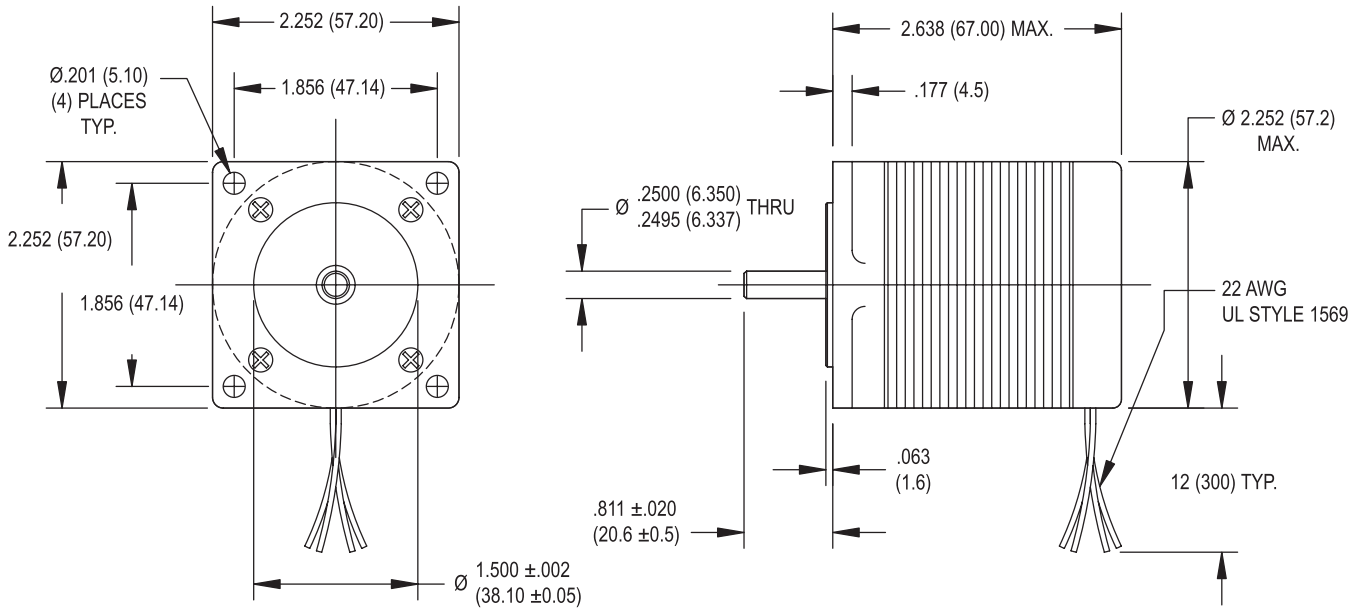
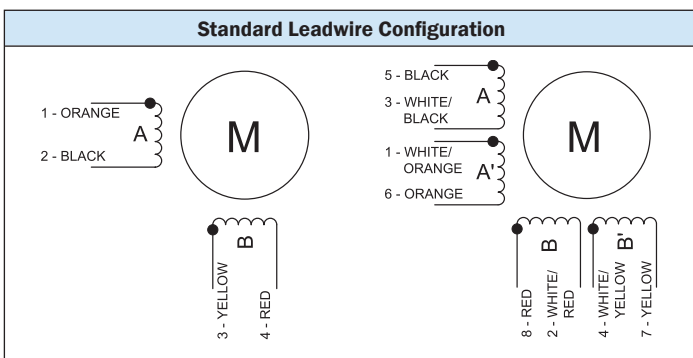
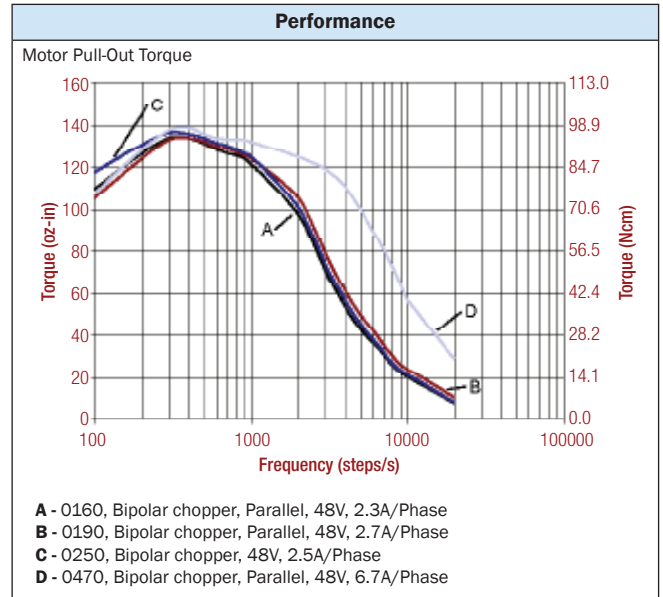


# SIZE 23 STEPPER MOTOR DATA



| Specification           | Units                                  | HY 200 2226 |      |      |      |
|-------------------------|--|-------------|------|------|------|
|                         |  | 0160        | 0190 | 0250 | 0470 |
| Rated Phase Current     | A                                      | 1.60        | 1.90 | 2.50 | 4.70 |
| Phase Resistance        | $\Omega$                               | 2.6         | 1.8  | 1.1  | 0.33 |
| Phase Inductance        | mH                                     | 4.7         | 3.3  | 4.0  | 0.5  |
| Holding Torque Unipolar | oz-in                                  | 123         | 126  | —    | 123  |
|                         | Ncm                                    | 87          | 89   | —    | 87   |
| Holding Torque Bipolar  | oz-in                                  | 154         | 160  | 161  | 154  |
|                         | Ncm                                    | 109         | 113  | 114  | 109  |
| Detent Torque           | oz-in                                  | 12.0        | 12.0 | 12.0 | 12.0 |
|                         | Ncm                                    | 8.5         | 8.5  | 8.5  | 8.5  |
| Rotor Inertia           | oz-in-s <sup>2</sup> x10 <sup>-4</sup> | 28          | 28   | 28   | 28   |
|                         | g-cm <sup>2</sup>                      | 200         | 200  | 200  | 200  |
| Motor Weight (Mass)     | lb                                     | 1.5         | 1.5  | 1.5  | 1.5  |
|                         | kg                                     | 0.70        | 0.70 | 0.70 | 0.70 |
| Maximum Voltage         | V                                      | 75          | 75   | 75   | 75   |
| Std. No. of Leads       | —                                      | 8           | 8    | 4    | 8    |



- ### Standard Features
- Step angle: 1.8°
  - Step angle accuracy: 5%
  - Insulation class: B (130 °C)
  - NEMA 23 mounting configuration
  - Neodymium magnets
  - Additional windings and customization options available

- ### Complementary Products
- Gearboxes
  - Encoders